

Input
 Fuel
 LHV
 Boiler efficiency
 Throughput

Output
 Thermal load
 Boiler output
 Gross electrical output
 Process heat
 Condens heat

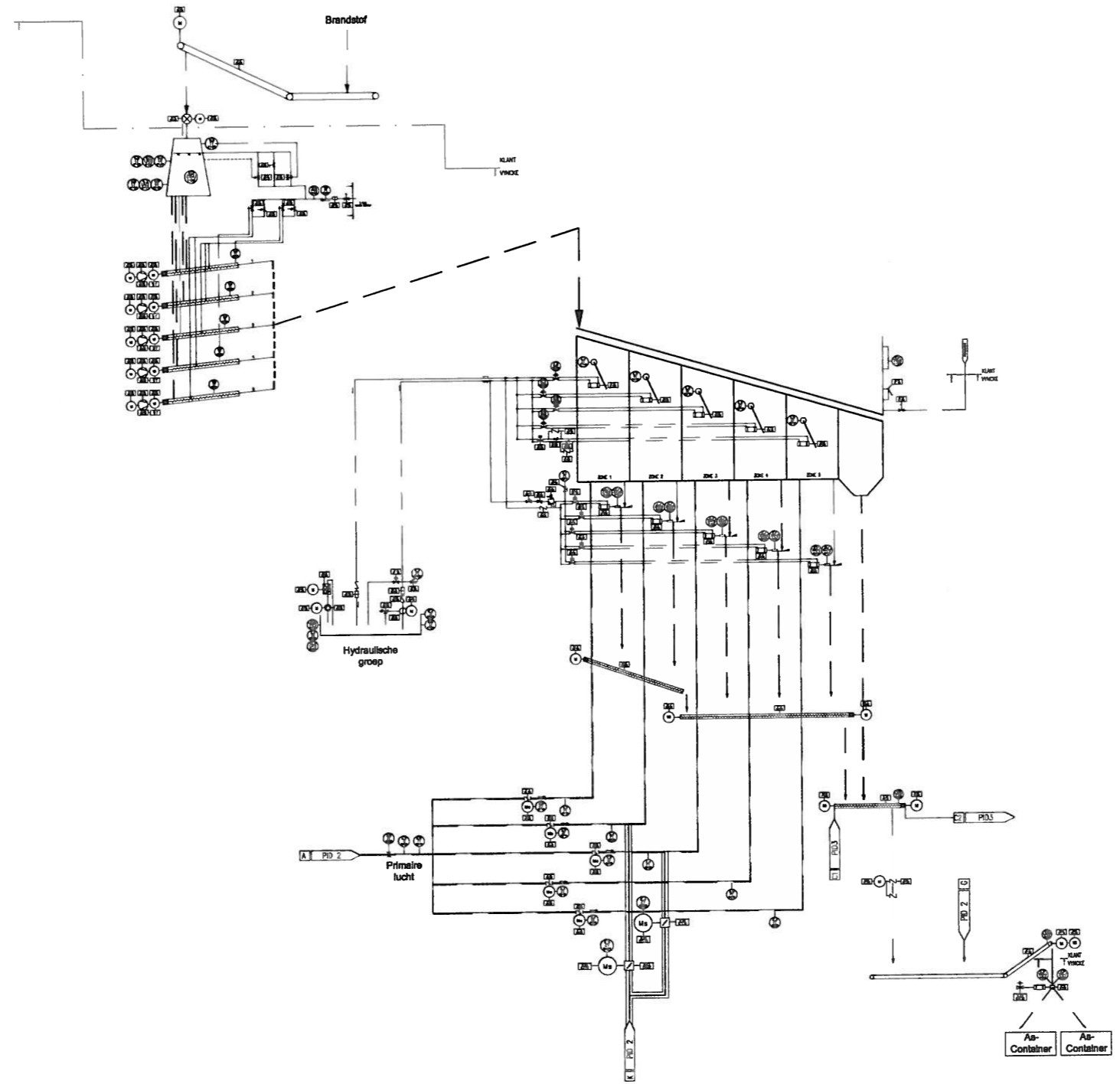
bar(a) | kJ / kg
 kg / h | °C

VYNCKE

Your Project

Projectn°	1,XXXX	REV	0
Author	HDZ	Date	6/11/2015

This drawing is the property of NV VYNCKE. May not be used, copied or duplicated in any matter, without permission of its owner. All rights of design and invention are reserved. All data are preliminary and can only be confirmed after detailed engineering.



DEFINITION OF MAIN DEVICES		
Valve		Safety valve
Three way valve		Check valve
Check valve		Electro valve on/off switch valve
Flow regulating valve		Analog/proportional switch valve
Fan		Quick opening manual valve
Pump		Manually operated valve
Motor		Filter
Servo motor		Flow direction
Air cylinder		Reference
Hydraulic cylinder		Reference to/from other drawing
Expansion vessel		Reference on same drawing
Heat exchanger		Pressure regulating valve
Frequency converter		Connection point
		Compressor
		Airlock
		Condensation pot
DEFINITION OF FUNCTIONAL ELEMENTS		
Locally mounted		
Mounted on main panel		
Mounted in main panel		
Mounted in auxiliary panel		
In central microprocessor control system		
Device classification		
DEFINITION LINDIPIJS		
1.		Stroom
2.		Water
3.		Oil
4.		Gases
5.		Fluïdum
6.		Air
7.		Fuel
8.		Ashes
9.		Electrical signal
10.		Pneumatic/hydraulic circuit

Document number: P1030022 Doc Sheet - Revision A1 Page 4 of 4

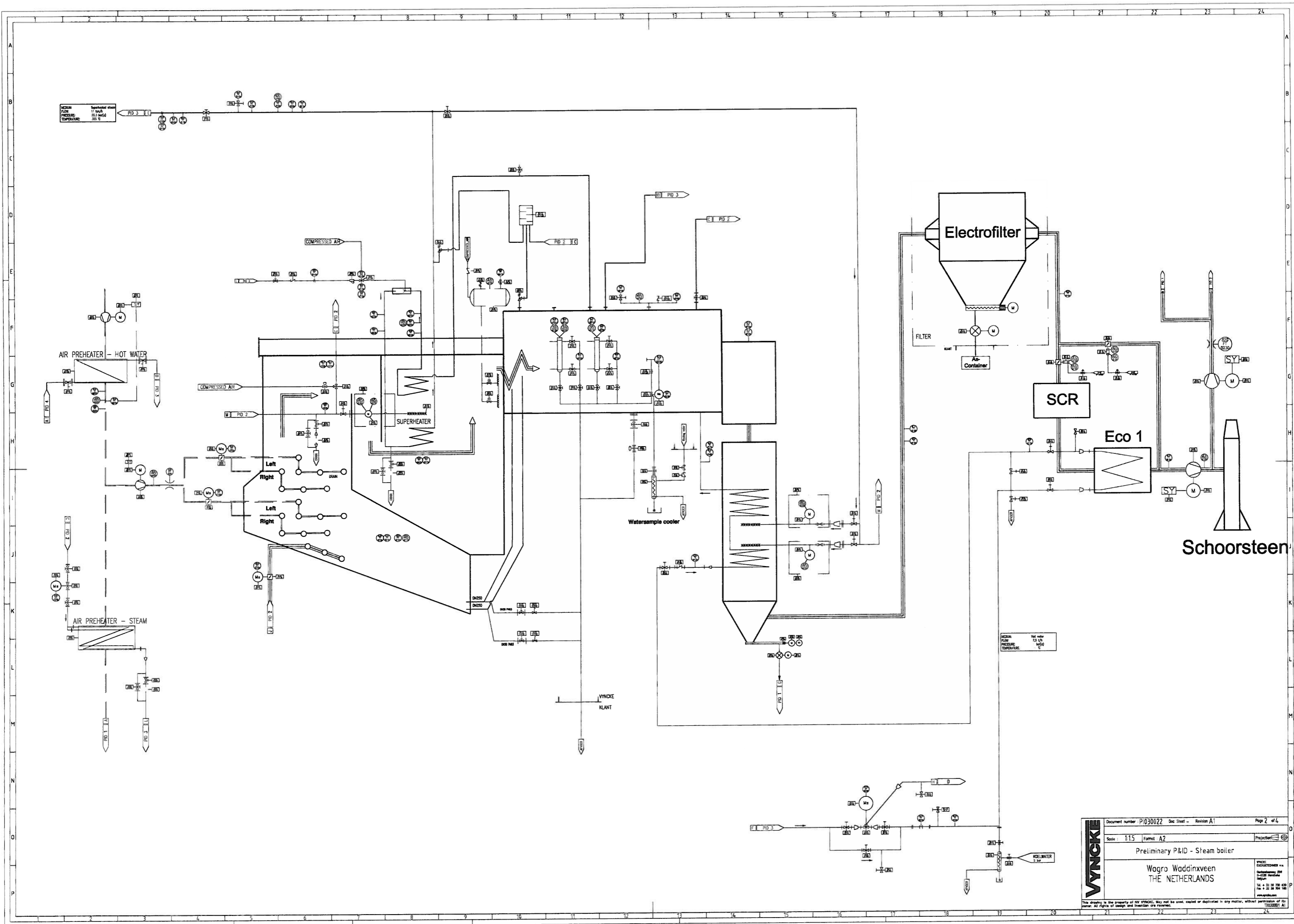
Scale: 1:1.5 Format: A1 Projection:

Preliminary P&ID - Combustion system

Wogro Waddinxveen
THE NETHERLANDS

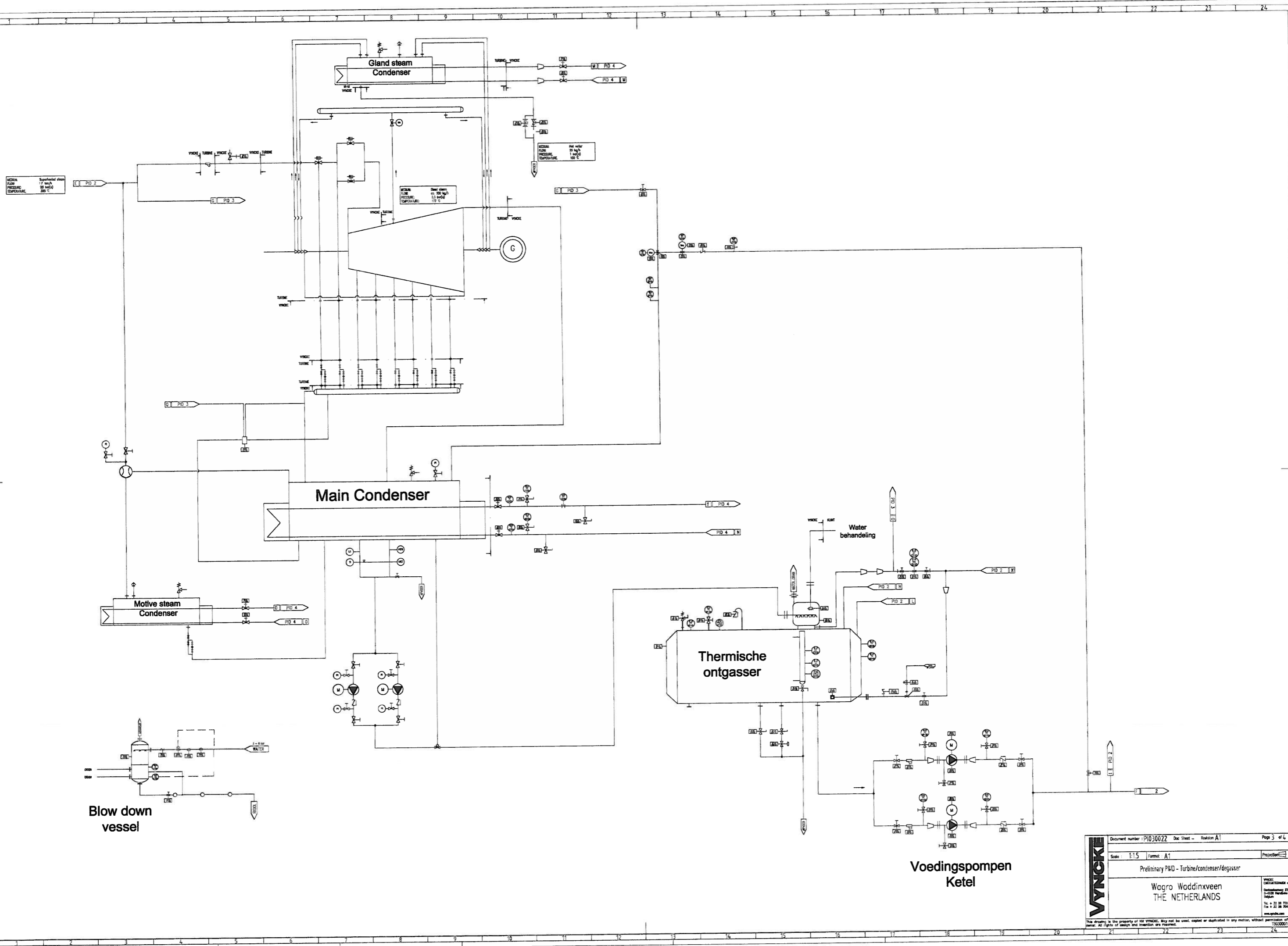
YNCKE
CONSTRUCTIEBUREAU B.V.
Oudehulshuis 224
3422 JH Waddinxveen
Ned.
Tel. + 31 20 720 820
Fax + 31 20 720 180
www.yncke.nl

This drawing is the property of NV YNCKE. May not be used, copied or duplicated in any manner, without permission of the owner. All rights of design and invention are reserved.
T0300001 A1



VYNCKE	Document number: P1030022 Doc Sheet - Revision A1	Page 2 of 4
	Scale: 1:15 Format: A2	Projection:
	Preliminary P&ID - Steam boiler	
	Wagra Waddinxveen THE NETHERLANDS	

VYNCKE ENGINEERING n.v.
 Industrieweg 224
 3429 BR Waddinxveen
 Belgium
 Tel. +31 20 36 333 433
 Fax. +31 20 36 304 180
 www.vyncke.com
 This drawing is the property of NV VYNCKE. May not be used, copied or duplicated in any manner, without permission of its owner. All rights of design and invention are reserved. (1030022) A1



VYNCKE	Document number : P1030022 Doc Sheet - Revision A1	Page 3 of 4
	Scale : 1:15 Formik A1	Projector
	Preliminary P&ID - Turbine/condenser/degasser	
	Wagro Waddinxveen THE NETHERLANDS	
<small>VYNCKE ENGINEERING s.a. Oudeboerweg 214 3440 Waddinxveen T +31 20 38 733 430 F +31 20 38 733 431 www.vyncke.com</small>		

This drawing is the property of NV VYNCKE. May not be used, copied or duplicated in any manner, without permission of its owner. All rights of design and invention are reserved.